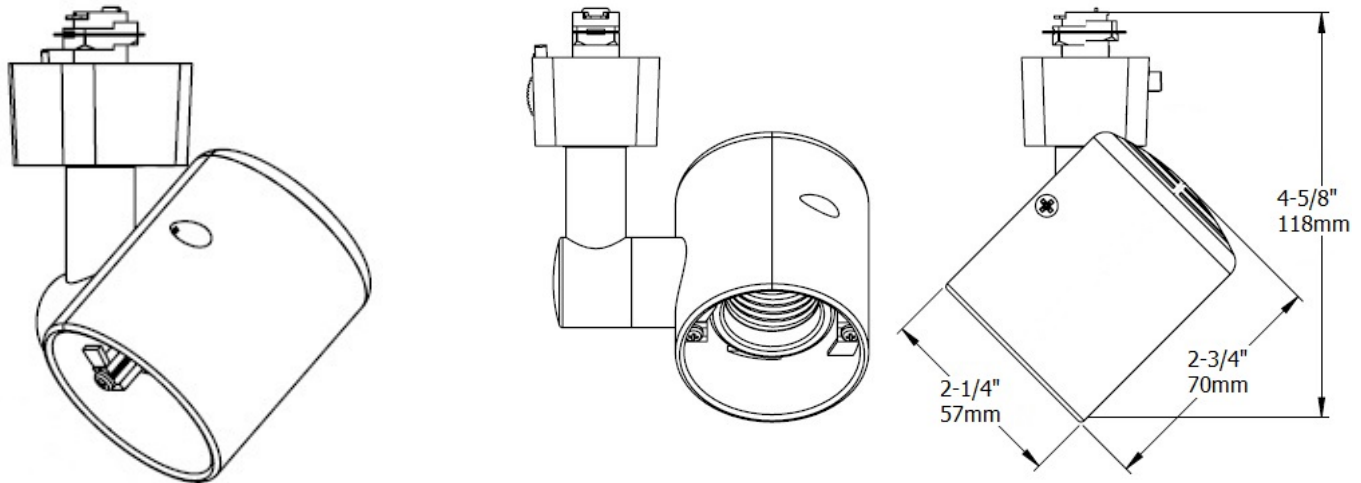




HV303

ULTIMATE UNIVERSAL TRACK LUMINAIRE

Type	
Project	
Catalog No.	



DESCRIPTION

Ultimate universal Halogen or LED track luminaire with low profile, modular design for ultimate flexibility to suit your needs in retail, commercial and hospitality general lighting, accent and display applications.

CONSTRUCTION

Lamp holder and swivel molded from flame retardant LEXAN™ 940. Precise aiming. No exposed wiring.

MOUNTING

Selection of three track fittings. Provides electrical and mechanical connection to single or two circuit track systems.

ELECTRICAL

Porcelain socket, E26 medium base. Integral ON/OFF switch.

DIMMING

JESCO HV303 track luminaire is compatible with most dimming protocols prevalent in the United States. Please consult lamp manufacturer for latest compatibility information.

LAMP

Halogen or LED, E26 medium base 120V. PAR38 150W max Lamp and Shade are sold seperately.

LABELS

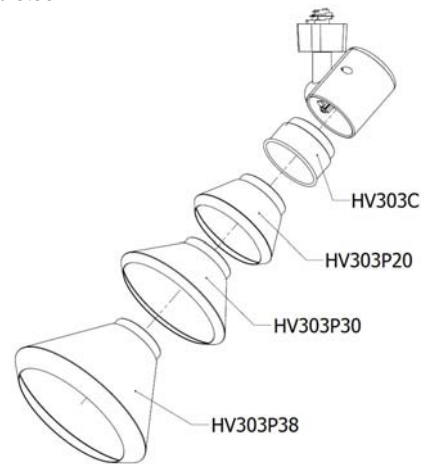
cULus Listed

WARRANTY

18 months

LAMPSHADE

Painted formed steel



Catalog Number	Finish	Lamp
HV303CBK	Black	PAR16 75W, PAR20 50W or PAR38 150W max
HV303CWT	White	PAR16 75W, PAR20 50W or PAR38 150W max
HV303P20BK	Black	PAR20 50W max
HV303P20WT	White	PAR20 50W max
HV303P30BK	Black	PAR30 75W max
HV303P30WT	White	PAR30 75W max
HV303P38BK	Black	PAR38 150W max
HV303P38WT	White	PAR38 150W max

ORDERING INFORMATION

SYSTEM	SERIES	FINISH
H2 = Jesco H1 Track or Halo ¹ Power-Trac L2 = Jesco L Track or Lightolier ² Lytespan Track J2 = Jesco J1, J2 or Juno ³ Trac-Master	HV303	BK – Black WT – White
	HV303	

¹ Halo is a registered trademark of Cooper Lighting.
² Lightolier is a registered trademark of Philips Lighting.
³ Juno is a registered trademark of Juno Lighting.
⁴ LEXAN is a registered trademark of SABIC Innovative Plastics.



www.jescolighting.com
support@jescolighting.com
Tech Support: 855.592.0029

15 Harbor Park Drive
Port Washington, NY 11050
Main Line: 800.527.7796
Fax Line: 855.265.5768

219 South 6th Ave
City of Industry, CA 91746
Main Line: 855.654.0110
Fax Line: 626.333.2955

Specifications subject to change without notice.

10/22/2015

Page 1